

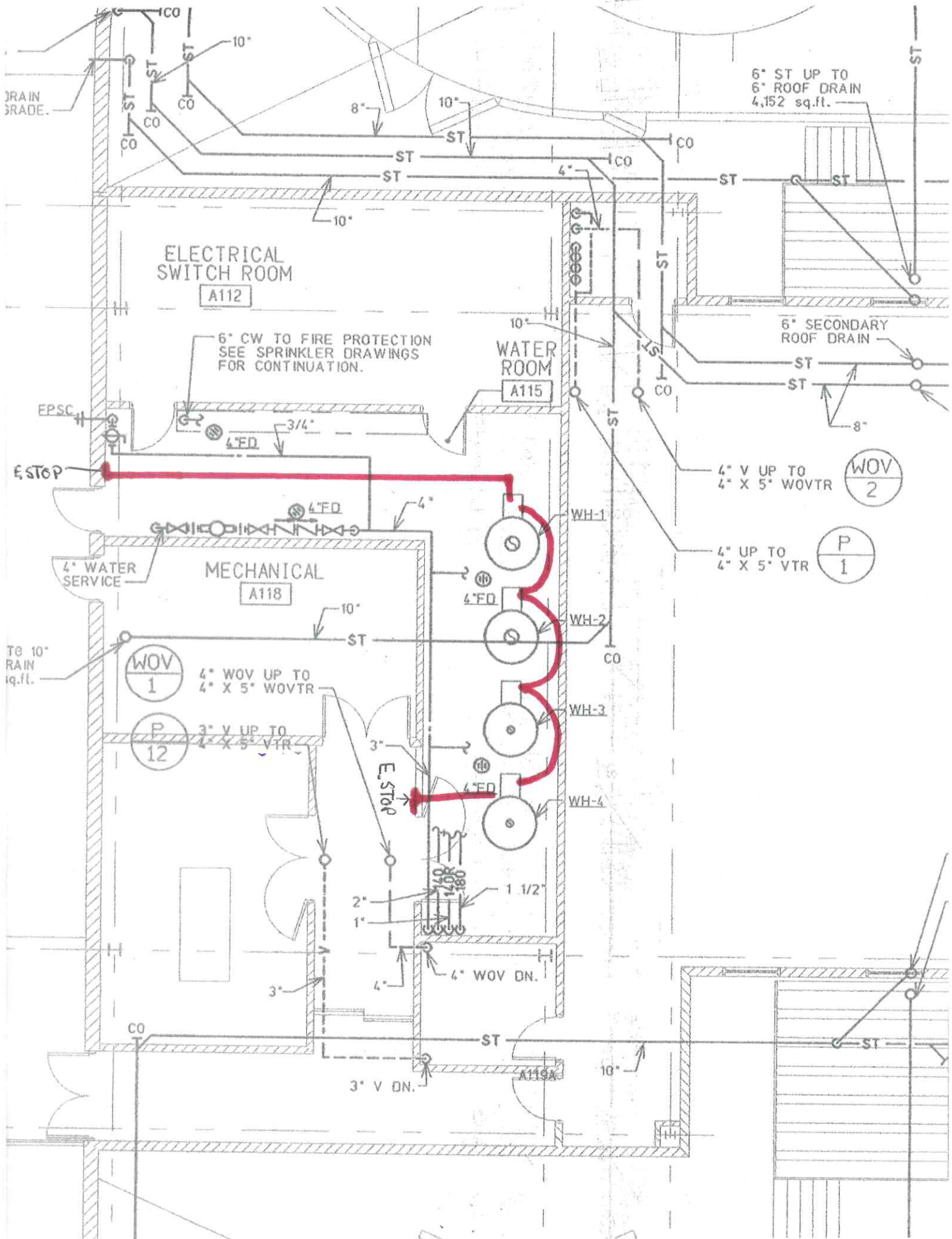
Triphahn Center Water Heater Purchase and Install

Page 1: Emergency Shutoff Locations

Page 2: Ice Resurfacers Heater Layout

Page 3: Domestic Water Heater Layout





ELECTRICAL SWITCH ROOM
A112

WATER ROOM
A115

MECHANICAL
A118

6" ST UP TO
6" ROOF DRAIN
4,152 sq.ft.

6" CW TO FIRE PROTECTION
SEE SPRINKLER DRAWINGS
FOR CONTINUATION.

6" SECONDARY
ROOF DRAIN

EPSC

E STOP

WOV
2

P
1

4" V UP TO
4" X 5" WOVTR

4" UP TO
4" X 5" VTR

WOV
1

P
12

4" WOV UP TO
4" X 5" WOVTR

3" V UP TO
4" X 5" VTR

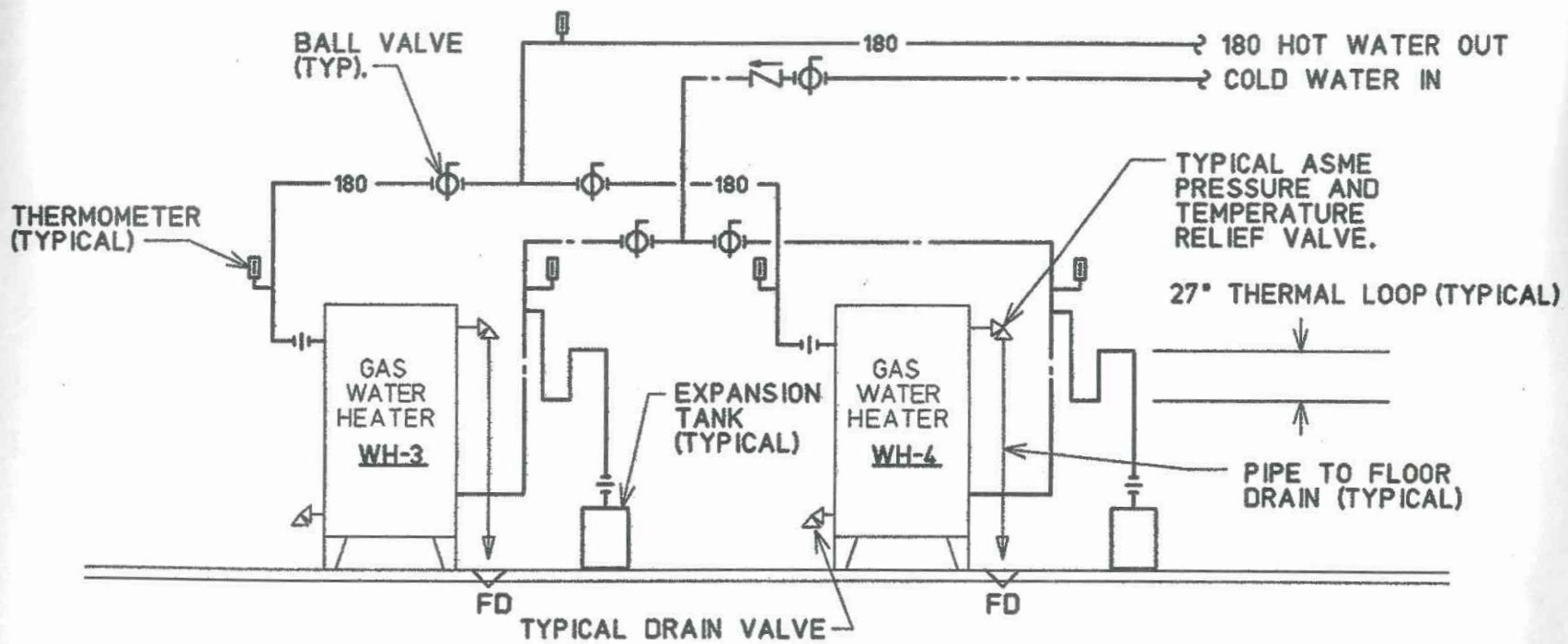
TO 10"
RAIN
sq.ft.

1 1/2"

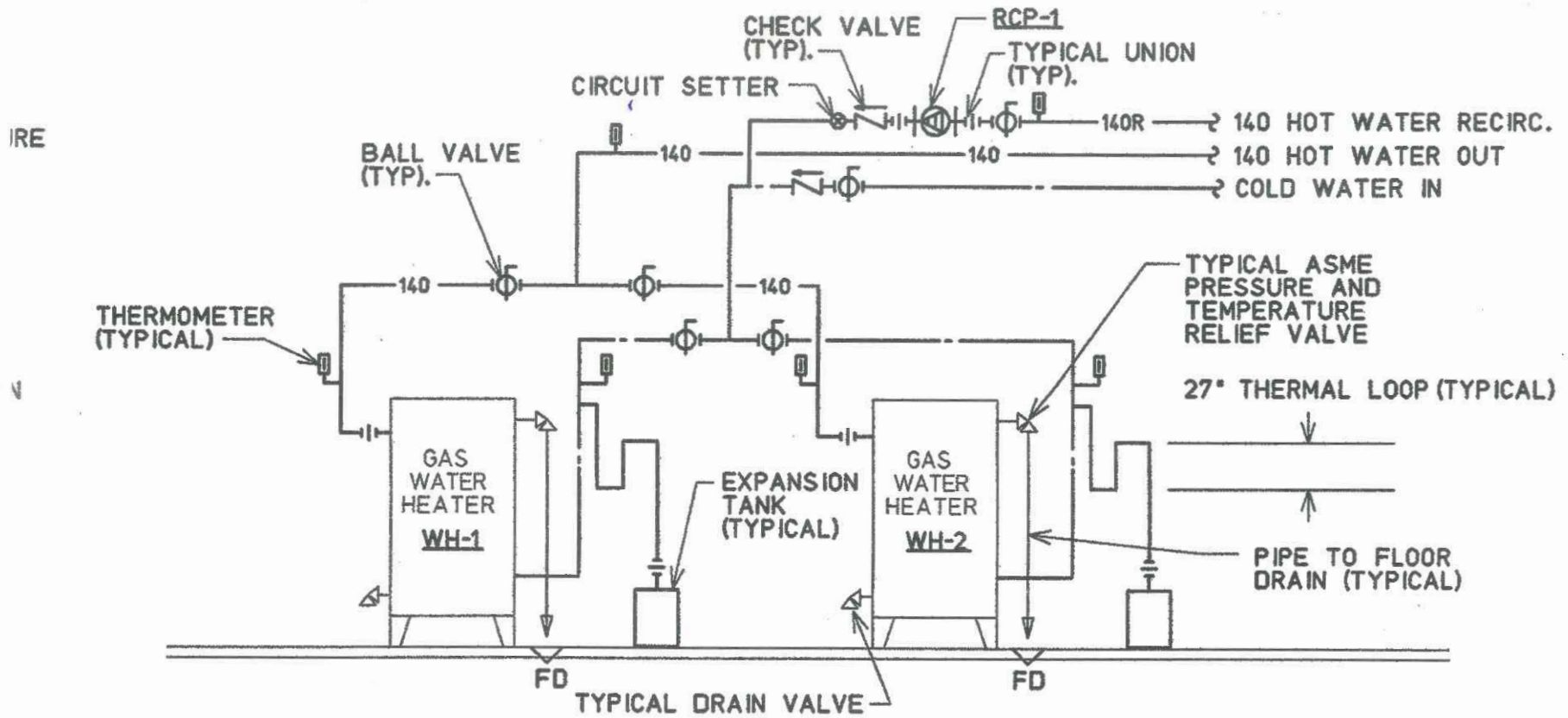
4" WOV DN.

3" V DN.

A119A



C ICE RESURFACER HEATERS
P4.1 DIAGRAM
 SCALE: NONE



B DOMESTIC WATER HEATERS
P4.1 DIAGRAM
 SCALE: NONE