



SERIES: Basics, Intensity, Nucleus, Synergy
 SITE PLAN
 DRAWN BY: Cheryl Parson

Birch Park
 1045 Ash Road
 Hoffman Estates, IL 60169

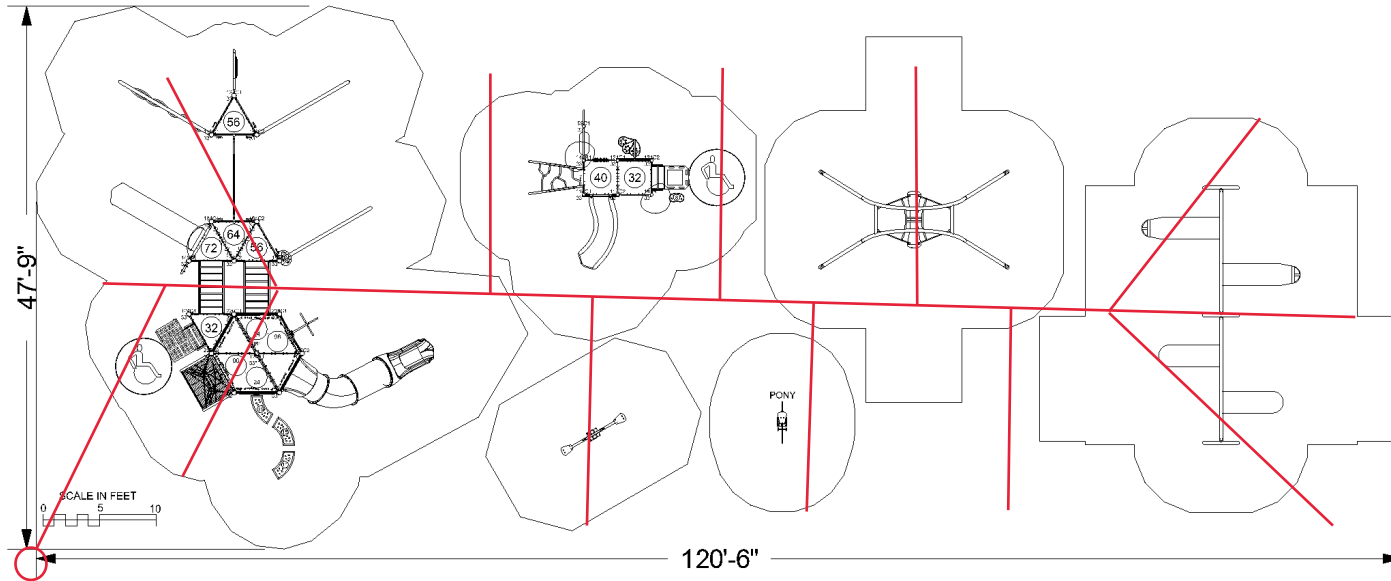
BCI Burke Company, LLC PO Box 549 Fond du Lac, Wisconsin 54936-0549 Telephone 920-921-9220

March 12, 2021

Play Illinois
 Birch Park

Drainage layout : 300 linear ft. of 4" round drainage pipe.

Exact quantities are found in the form of proposal



Connection to existing drainage

ADA ACCESSIBILITY GUIDELINE (ADAAG CONFORMANCE)

NUMBER OF PLAY EVENTS:	30		
NUMBER OF ELEVATED PLAY EVENTS:	16		
NUMBER OF ELEVATED PLAY EVENTS ACCESSIBLE BY RAMP:	PROVIDED: 0	REQ'D: 0	
NUMBER OF ELEVATED PLAY EVENTS ACCESSIBLE BY TRANSFER SYSTEM:	PROVIDED: 14	REQ'D: 14	
NUMBER OF ELEVATED PLAY EVENTS ACCESSIBLE BY RAMP OR TRANSFER SYSTEM:		REQ'D: 8	
NUMBER OF GROUND LEVEL PLAY EVENTS:	PROVIDED: 14	REQ'D: 5	
NUMBER OF TYPES OF GROUND LEVEL PLAY EVENTS:	PROVIDED: 8	REQ'D: 3	

WARNING!

ACCESSIBLE SAFETY SURFACING MATERIAL IS REQUIRED BENEATH AND AROUND THIS EQUIPMENT.
 FOR SLIDE FALL ZONE SURFACING AREA SEE CPSC's Handbook for Public Playground Safety.
 PLATFORM HEIGHTS ARE IN INCHES ABOVE RESILIENT MATERIAL.

INFORMATION
 MINIMUM FALL ZONE
 SURFACED WITH
 RESILIENT MATERIAL
 AREA

3573 SQ.FT.

PERIMETER

574 FT.

STRUCTURE SIZE

47' 9" x 120' 6"

STRUCTURE IS DESIGNED
 FOR CHILDREN AGES:

- 6-23 MONTH OLDS
- 2-5 YEAR OLDS
- 5-12 YEAR OLDS
- 13 + YEAR OLDS



Registered to ISO 9001

Registered to ISO 14001



To verify product certification, visit www.ipema.org

The play components identified in this plan are IPEMA certified. The use and layout of these components conform to the requirements of ASTM F1487. To verify product certification, visit www.ipema.org

The space requirements shown here are to ASTM standards. Requirements for other standards may be different.

The use and layout of play components identified in this plan conform to the CPSC guidelines. U.S. CPSC recommends the separation of age groups in playground layouts.